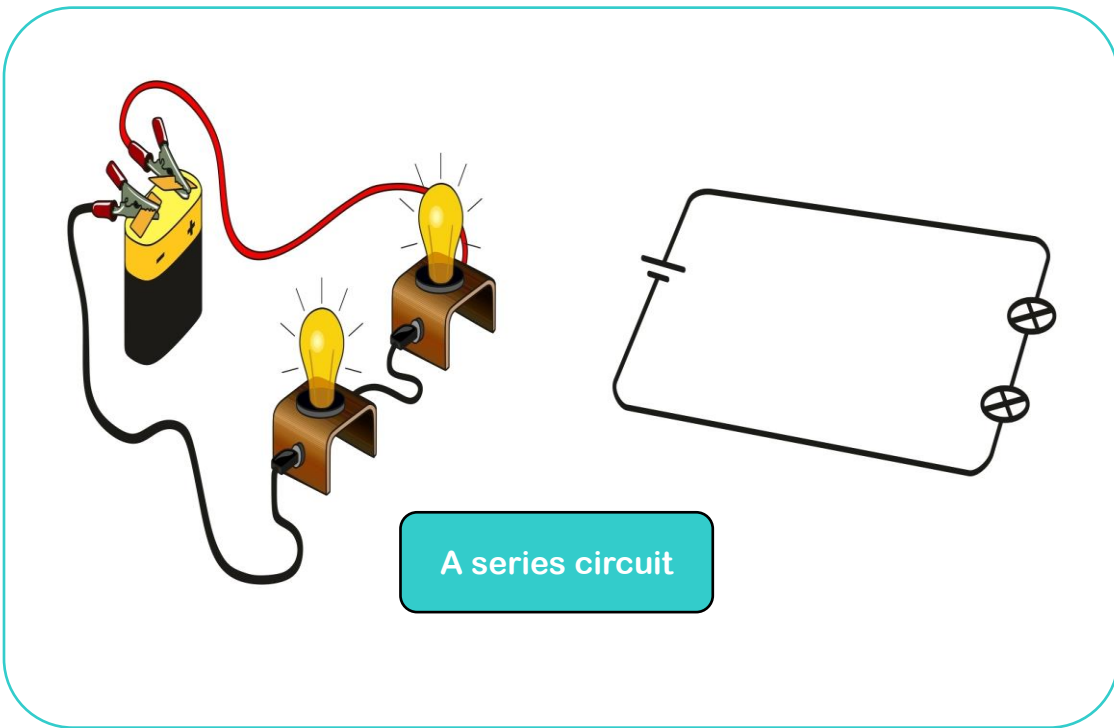


Key Vocabulary

Learn these words and their definitions.

Key Word	Definition
series circuit	A looped circuit where the electricity flows from the positive to negative terminal of the battery.
circuit diagram	Electrical components shown in a picture by using standard symbols.
parallel circuit	A circuit with two or more pathways for the current to flow through.
conductor	Materials which allow electricity to flow through them with ease.
insulator	Materials that do not allow electricity to pass through them with ease.
loop	A complete circuit.
switch	A toggle which is changed by someone as way of controlling an electrical circuit or system.
resistance	A measure of how much an object opposes the flow of electrons.

Knowledge Organiser : Electricity



It is very important to be safe with electricity. Electricians are trained to be safe with electrical circuits and equipment.

All metals are good conductors of electricity and materials like rubber, glass and dry wood are good insulators.

- We can conserve energy by:
- Turning off electrical devices
 - Turning lights off
 - Using renewable sources such as solar and wind power
 - Using energy-saving lightbulbs

